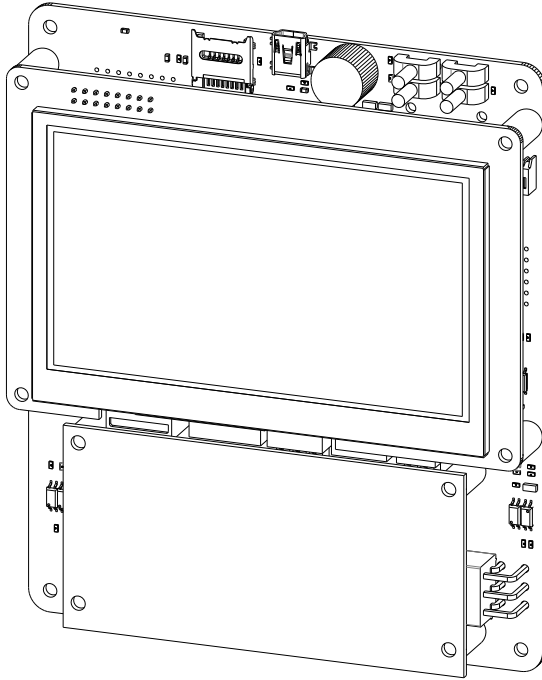


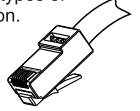
## MCR08-G contactless MIFARE card reader



### Connectors

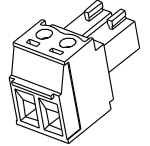
MCR03 terminals may have five types of connectors based on configuration.

Ethernet Connector  
Standard UTP Modular Plug



3,81mm Terminal Block Plug  
Molex Part Nr. 39510

Cable Size: 0,20 - 1,31 mm<sup>2</sup>  
AWG: 16,18,20,22,24



## Description

MCR08-G is a multi purpose 13.56MHz RFID & communication terminal designed to be used in Access Control/ Attendance Control/Contactless Payment systems.

In addition to MCR08 series devices, MCR08-G has a number of communication options such as **GPRS/NB-IoT/Wi-Fi/Bluetooth** through mini-PCI expansion slot.

### Specifications

- 4.3" TFT Touch Screen
- 13.56 MHz Contactless MIFARE/NFC/RFID Reader
- Ethernet and GPRS/2G/3G/LTE or Wi-Fi & Bluetooth

### Communication

- Internal Relay & Digital Input
- Configuration over the network
- SDK for system and device integrators

### Applications

- Access & Attendance Control
- Cashless payment systems
- E-ticketing Applications (On turnstiles & with barcode scanner)
- Reservation and registration
- Electric vehicle charging stations
- Smart building automation
- Vending machines and kiosks
- HMI Operator Panels for Automation with RFID
- Asset tracking & sensing ( ICODE etc. )
- IoT Gateway & Tracking
- Telemetry Monitor & Tracking Screen

# MCR08-G contactless MIFARE card reader

## Technical Specifications

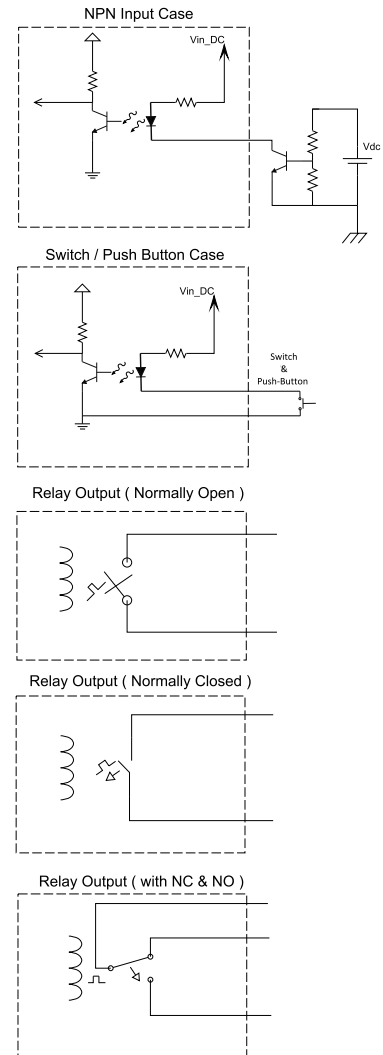
- MIFARE®, ISO14443A/B  
Classic, DesFire, Plus and Ultralight Contactless Read / Write  
ISO/IEC 15693\*  
ISO/IEC 18000\* (ICODE )  
50 ohm external antenna\*
- 4.3" TFT Capacitive/Resistive LCD Touchscreen
- 32-bit ARM Cortex High Performance CPU
- 8 GB Internal uSD Memory  
1 MB Internal NOR Flash Memory  
128 KB FRAM\*
- Ethernet 10/100 Mbps  
Integrated TCP/IP ( UDP,ICMP, FTP, NTP, Ping ) Stack  
GSM/GPRS 2G/3G/LTE/NB-IoT miniPCIe Modem\*  
Wi-Fi IEEE 802.11 b/g/n / Bluetooth BLE 4.2 miniPCIe Modem\*
- RS232 Port (300-115200 Baud)  
RS485 Port (300-115200 Baud)
- USB 2.0 ( VCOM, HID )
- 2x Relay Outputs (1.5A max.)  
4x Optical Isolated Digital Input
- Offline Operational Mode  
Real time clock with backup battery (RTC)  
Real audio output with internal amplifier and speaker  
4 LEDs Display
- 6-35V DC Operation Voltage  
PoE (Power Over Ethernet) with PoE Injector Hardware
- -20 °C ... +70 °C Operational
- -30 °C ... +80 °C Storage

\* optional

### NOTES:

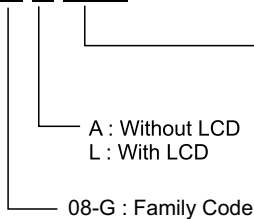
- Enclosure is also available.

## Input / Output Schematics



## Ordering Information

MCRXX X-XXX-OEM



U : USB Port  
M: MDB Port  
E : Ethernet Port  
R3 : RS232 Port  
R4 : RS485 Port  
RL : Relay (2 for dual Relay)



