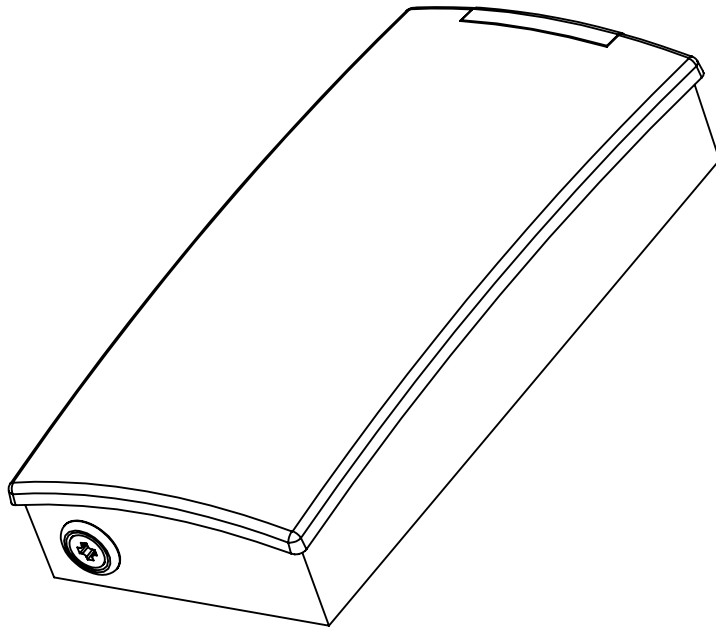


MCR01-W contactless MIFARE® card reader



Connectors & Cabling

Cable Output 30cm
Cable Size: 0,22 mm²
AWG: 24
AWG: 24
Cable Colors,

Red	+VDC
Black	GND
Yellow	Wiegand D1
Green	Wiegand D0
Orange	Green LED
Purple	Red LED
Grey	Buzzer

Key Features

- MIFARE compatible
- ISO14443A Contactless Interface
- Buzzer Support
- LEDs for Visual Indication
- Wiegand Interface
- 13.56 MHz Operation

Applications

Access Control Systems
Time and Attendance Systems
Turnstile Gates
Parking Meters

Description

MCR01-W is a MIFARE® compatible contactless card reader intended to be compatible with existing panels via wiegand interface.

Reader is compliant with ISO14443/A in which the MIFARE standards reside. Device, natively support MIFARE Classic cards and optionally Mifare Ultralight and NTAG type transponders are supported.

MCR01-W supports 34bits Wiegand data communication by default and other bit lengths would be realised upon request

Device has 7 kontrol pins for DC power, Wiegand communication, red and green LEDs and buzzer.

Reader operated between 6-18V DC. Continuous reading operation begins at power on and device seeks for any MIFARE type card with 20 ms intervals.

MIFARE unique card ID (4 Bytes by default, 7 Bytes optional) is transmitted right after card detection via wiegand data pins. UID is transmitted once for each detection, hence no other packets would be transmitted as the MIFARE card is kept withing antenna field.

Device has no memory for any type of anti passback, so reader would send same card UID for each first detection of field entrance. Also, no field removal packet is sent when card leaves the antenna field.

Reader antenna operating distance is designed to be up to 50 mm referenced from the front surface geometric center. Variation in the quality of MIFARE (or compatible) cards would have a diminishing effect on operating distance.

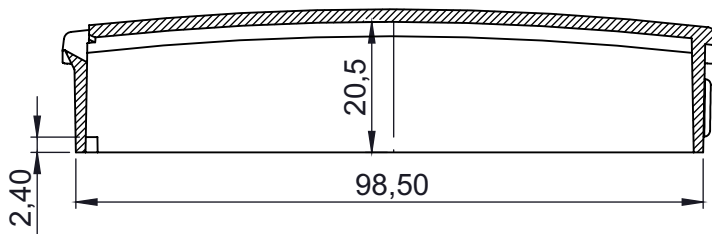
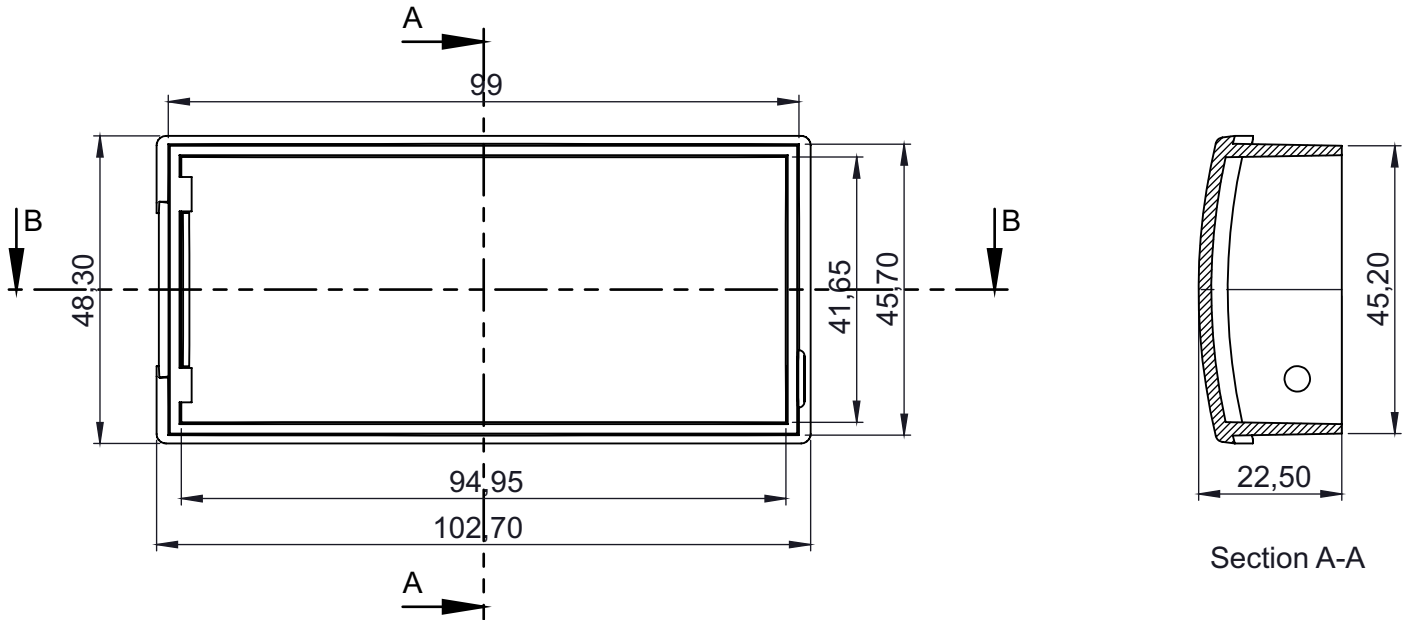
Reader have 2 LEDs, red and green. Both LEDs have

their own control pins which requires 5V to be lit. Activating buzzer also requires 5V to applied to the buzzer control pin. Both LED and buzzer would be inactive when input pins left unconnected.

Device is operational between -20 Co to +85 Co. For outdoor operation, protective coating can be requested on ordering.

MCR01 contactless MIFARE[®] card reader

Dimensions (mm)



Section B-B