

A

B

C

D

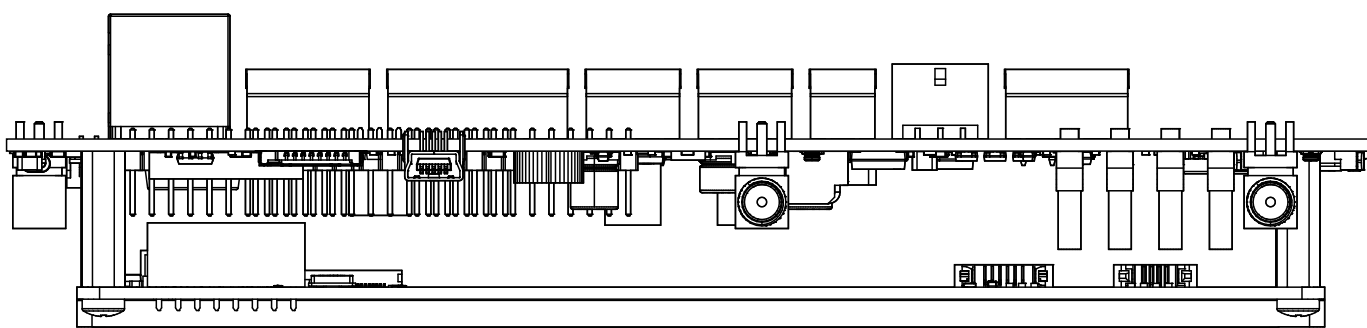
E

F

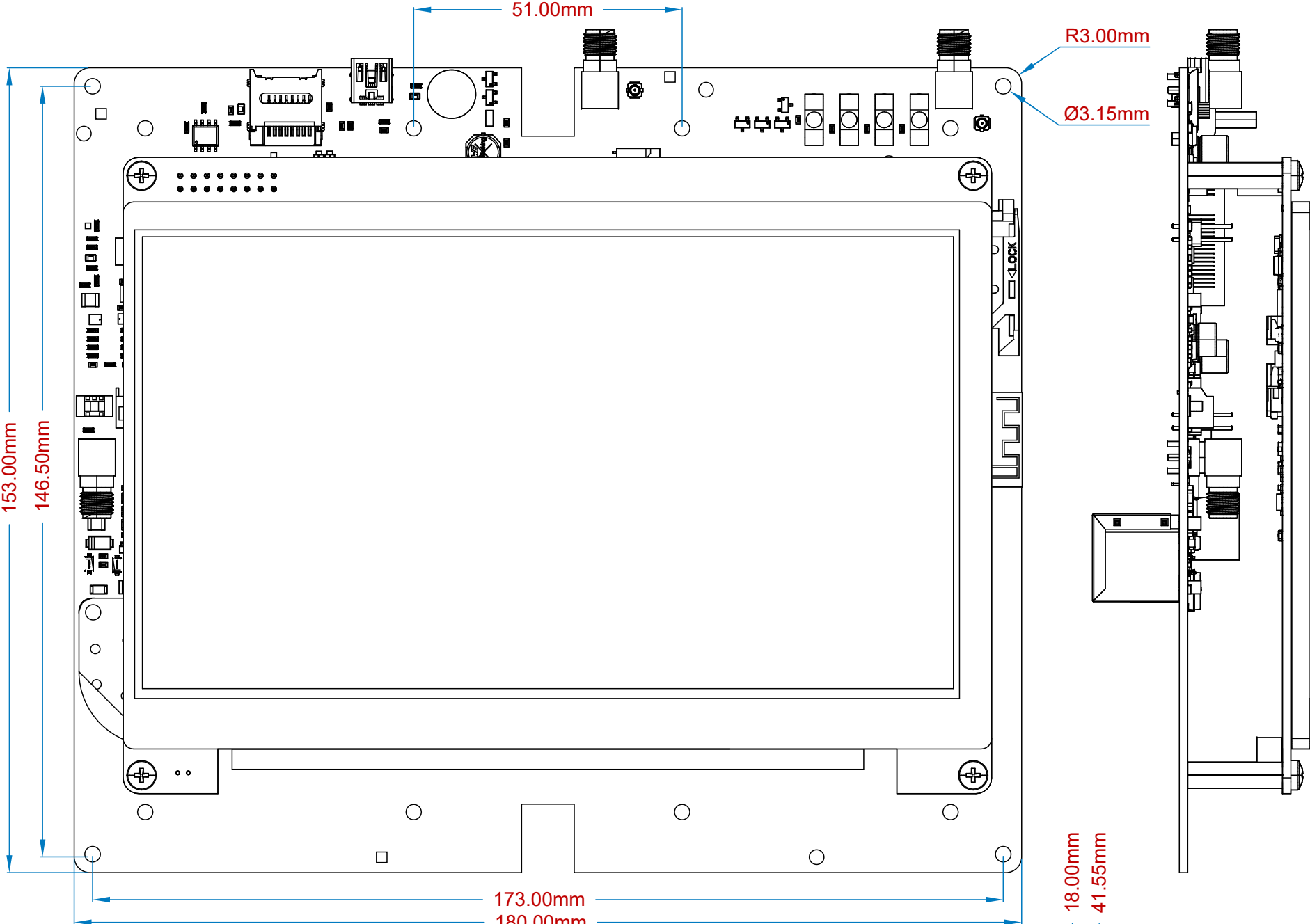
G

H

1



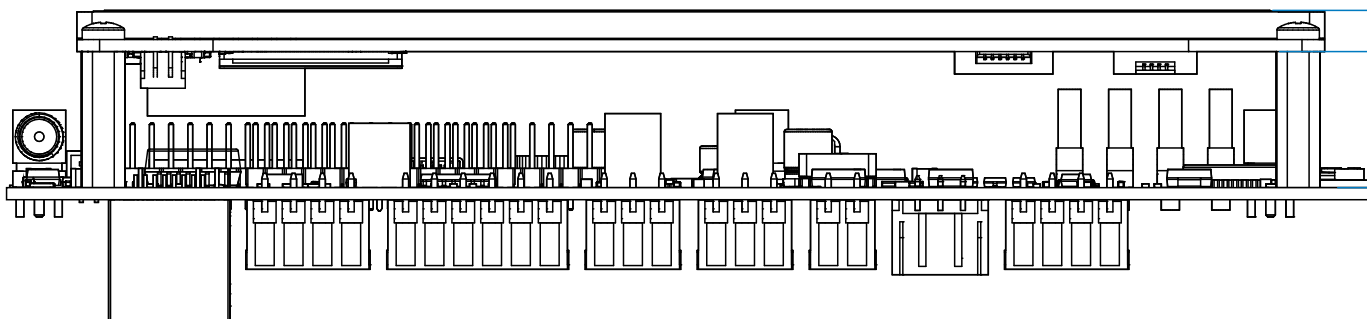
2



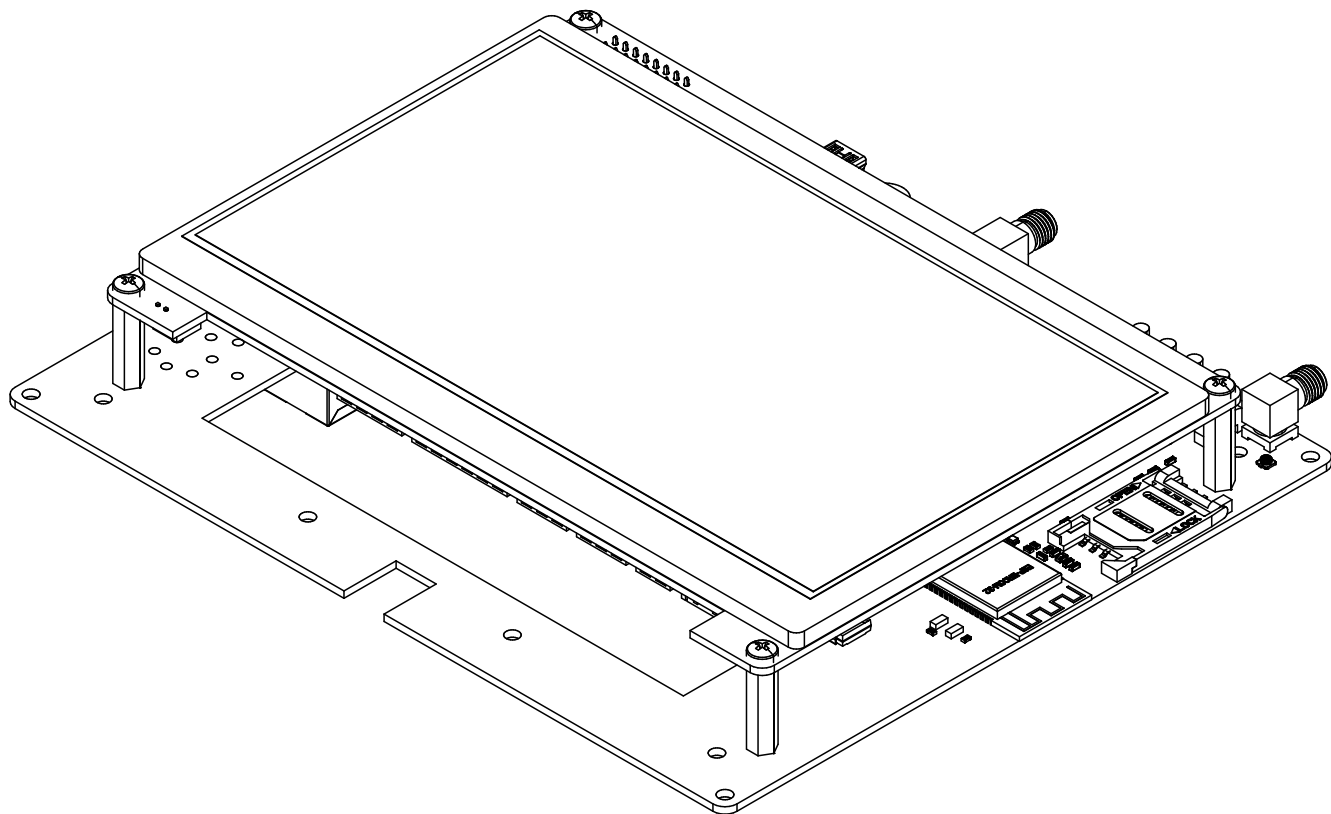
3

4

5



6



DO NOT SCALE DRAWING	REVISION
TITLE:	
DWG NO.	<b>minova</b>
SCALE 1:1	A3
SHEET 1 OF 1	

A

B

C

D

E

F

G

H